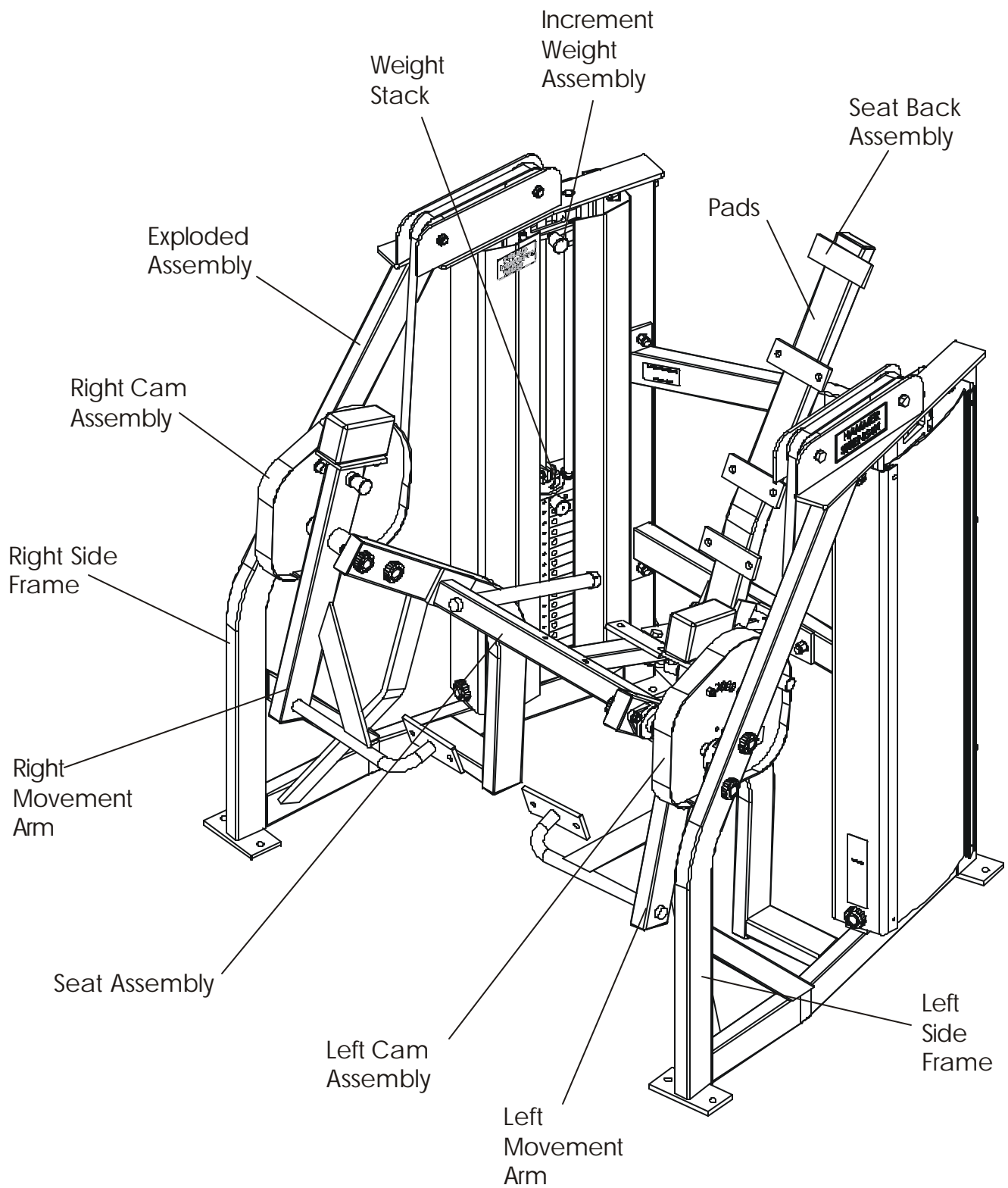


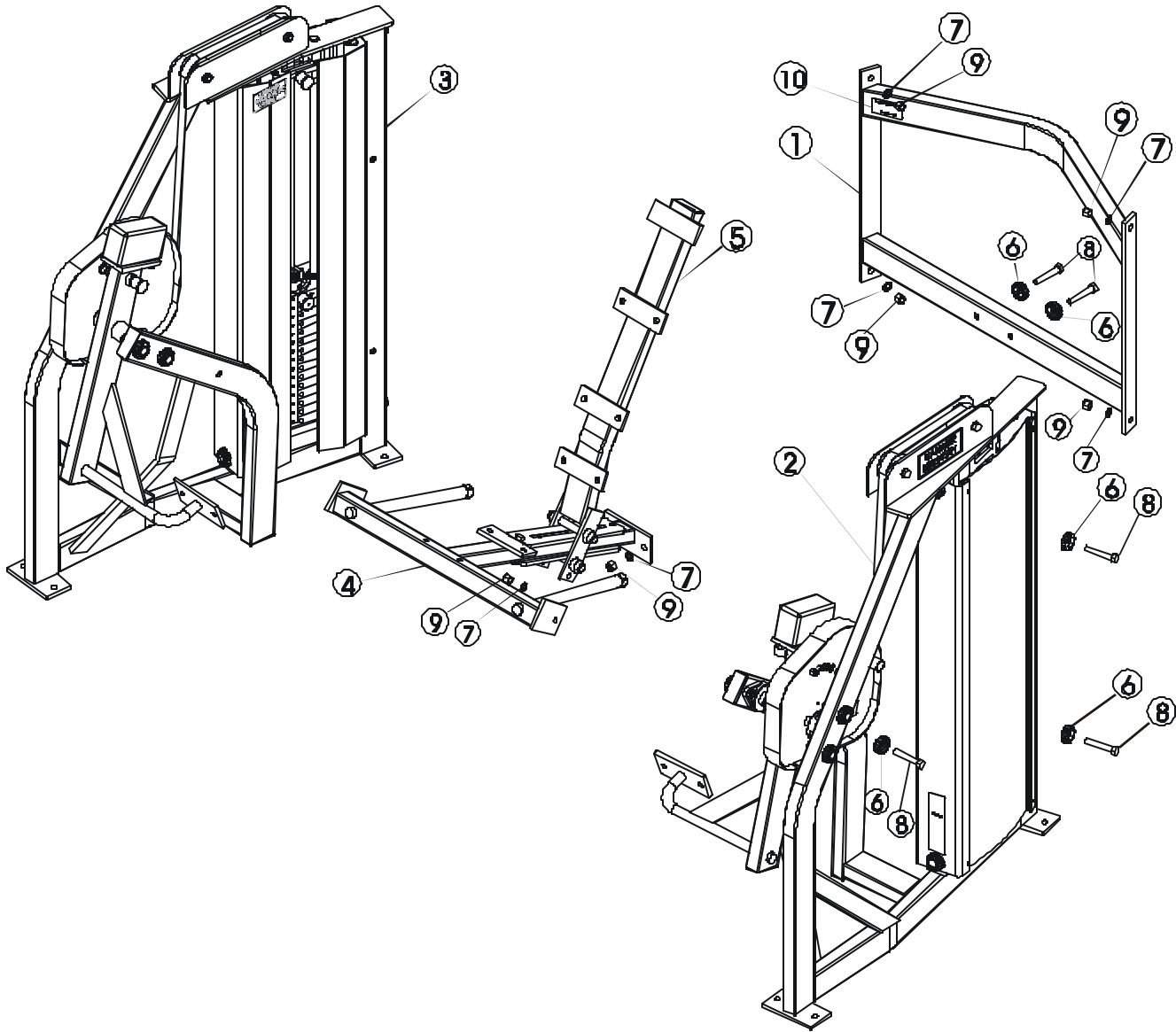
HAMMER STRENGTH EQUIPMENT

MTS Leg Extension - General Assembly



HAMMER STRENGTH EQUIPMENT

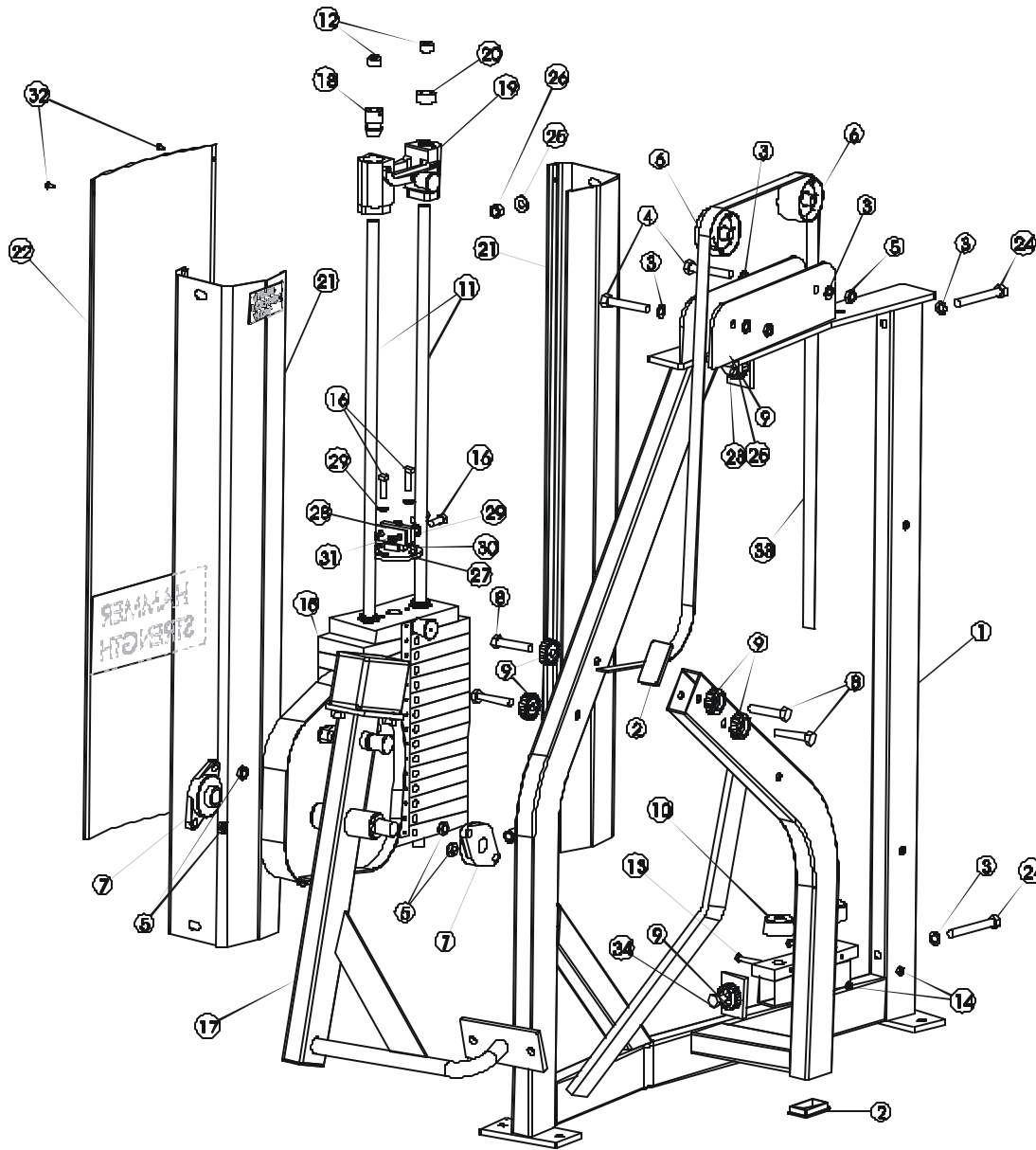
MTS Leg Extension - Exploded Assembly



ITEM NO.	QTY.	PART NO.	DESCRIPTION
1	1	MTLE-S0009	Back Frame
2	1	MTLE-A0003	Left Side Frame Assembly
3	1	MTLE-A0008	Right Side Frame Assembly
4	1	MTLE-A0001	Seat Frame Assembly
5	1	MTLE-A0002	Seat Back Assembly
6	8	0017-00042-1041	HAMMER HEAD WASHER
7	8	0017-00104-0379	1/2" Internal Lock Washer
8	8	0017-00101-1582	1/2 X 3 Bolt
9	8	0017-00103-0223	1/2" Thick Lock Nut
10	1	M051-00299-A000	HAMMER PATENT DECAL

HAMMER STRENGTH EQUIPMENT

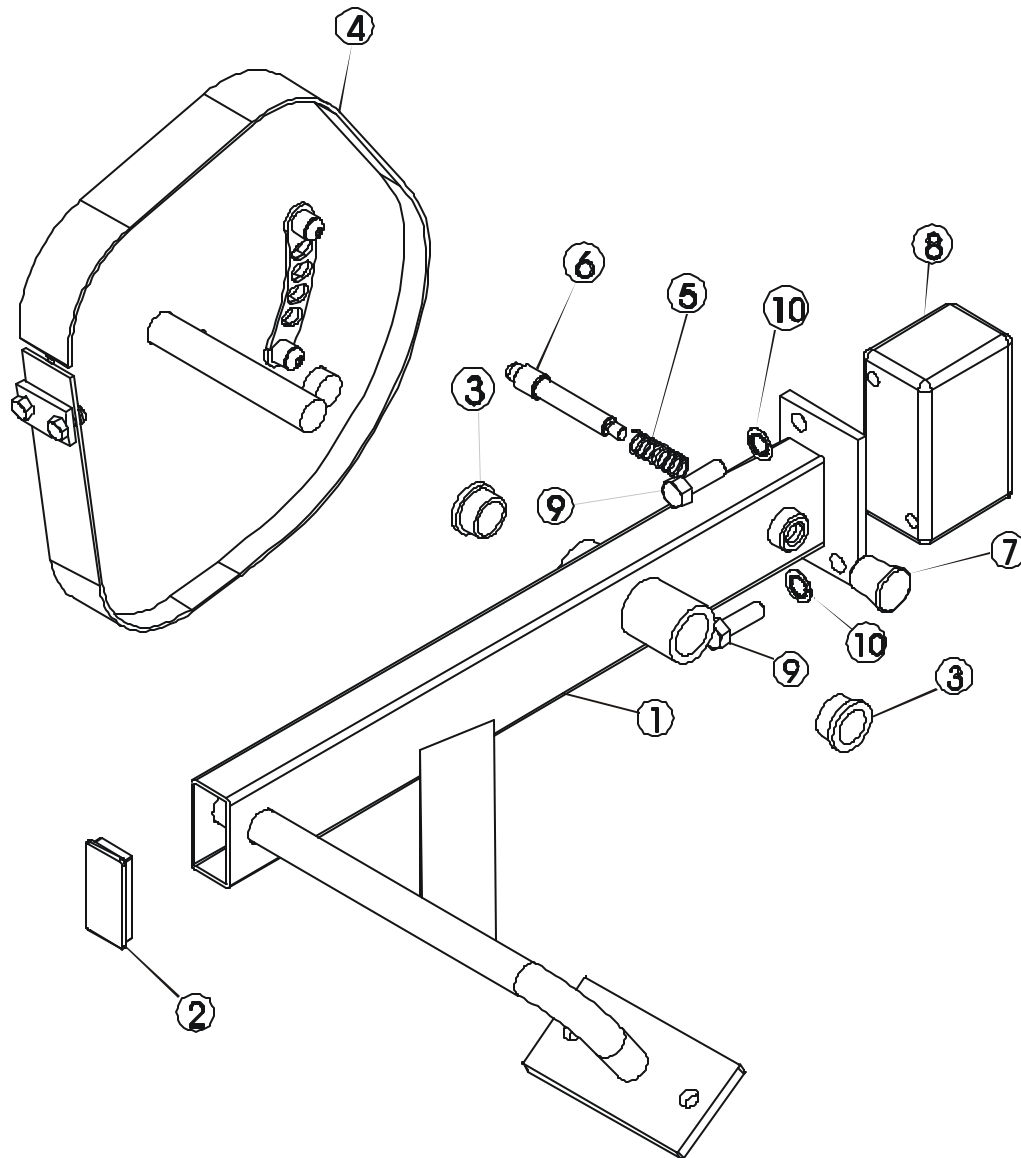
MTS Leg Extension - Right Side Frame



ITEM NO.	QTY.	PART NO.	DESCRIPTION	ITEM NO.	QTY.	PART NO.	DESCRIPTION
1	1	MTLE-S0008	Right Side Frame	21	2	MTLC-P0130	MTS SIDE SHIELD
2	2	0017-00042-1038	1 1/2 X 3 End Cap	22	1	MTLC-P0131	SHIELD BACK PANEL
3	6	0017-00104-0379	1/2" Internal Lock Washer	23	1	0017-00101-1583	1/2 X 1 1/4 Bolt
4	2	0017-00101-1582	1/2 X 3 Bolt	24	2	0017-00101-1580	1/2 X 4 Bolt
5	6	0017-00103-0224	1/2" Thin Lock Nut	25	3	0017-00104-0311	1/2" SAE Flat Washer
6	2	0017-00009-1039	3" PULLEY ASSEMBLY	26	2	0017-00103-0223	1/2" Thick Lock Nut
7	2	0017-00009-1034	Small Bearing	27	1	AK50-S0025	BELT ATTACHMENT PLATE
8	4	0017-00101-1572	1/2 X 2 1/2 Bolt	28	1	OK50-P1121	Strap Clamp 2
9	6	0017-00042-1041	HAMMER HEAD WASHER	29	4	0017-00104-0377	WSH . 375 INT LOCK ST ZN
10	2	0017-00042-0993	WEIGHT STACK DONUT 1" THICK	30	1	OK50-P1132	BELT WRAP PEG
11	2	0017-00009-0933(MTLE)	CHROME ROD (43.25")	31	2	0017-00103-0217	NUT 3/8 - NYLOC: THIN NY NO
12	2	0017-00042-0967	3/4 I.D. BLACK PLASTIC ROD CAP	32	2	0017-00101-1587	SHIELD RIVET
13	2	0017-00101-1585	1/4 X 2 1/2 Bolt	33	1	0017-00033-0855(MTLE)	MTLE STRAP (84")
14	2	0017-00103-0226	1/4" Thick Lock Nut	34	1	0017-00101-1586	1/2 X 3/4 Bolt
15	1	AK50-WS018	MTS 150 LB WEIGHT STACK	35	1	M051-00293-A000	WARNING DECAL
16	4	0017-00101-1412	3/8 X 1 1/4 Bolt	36	1	M051-00292-A000	HAMMER STRENGTH SHIELD DECAL
17	1	MTLE-A0006	Right Movement Arm Assembly	37	1	M051-00294-A000	WEIGHT STACK NUMBER STRIP
18	1	OK50-P1110	GUIDE ROD COLLAR	38	1	M051-00297-A000	INCREMENT WT. DECAL (RIGHT)
19	1	AK50-S0021	Increment Weight Assembly	39	1	M051-00289-A000	HAMMER STRENGTH NAME PLATE
20	1	0017-00009-1019	3/4" Lock Collar				

HAMMER STRENGTH EQUIPMENT

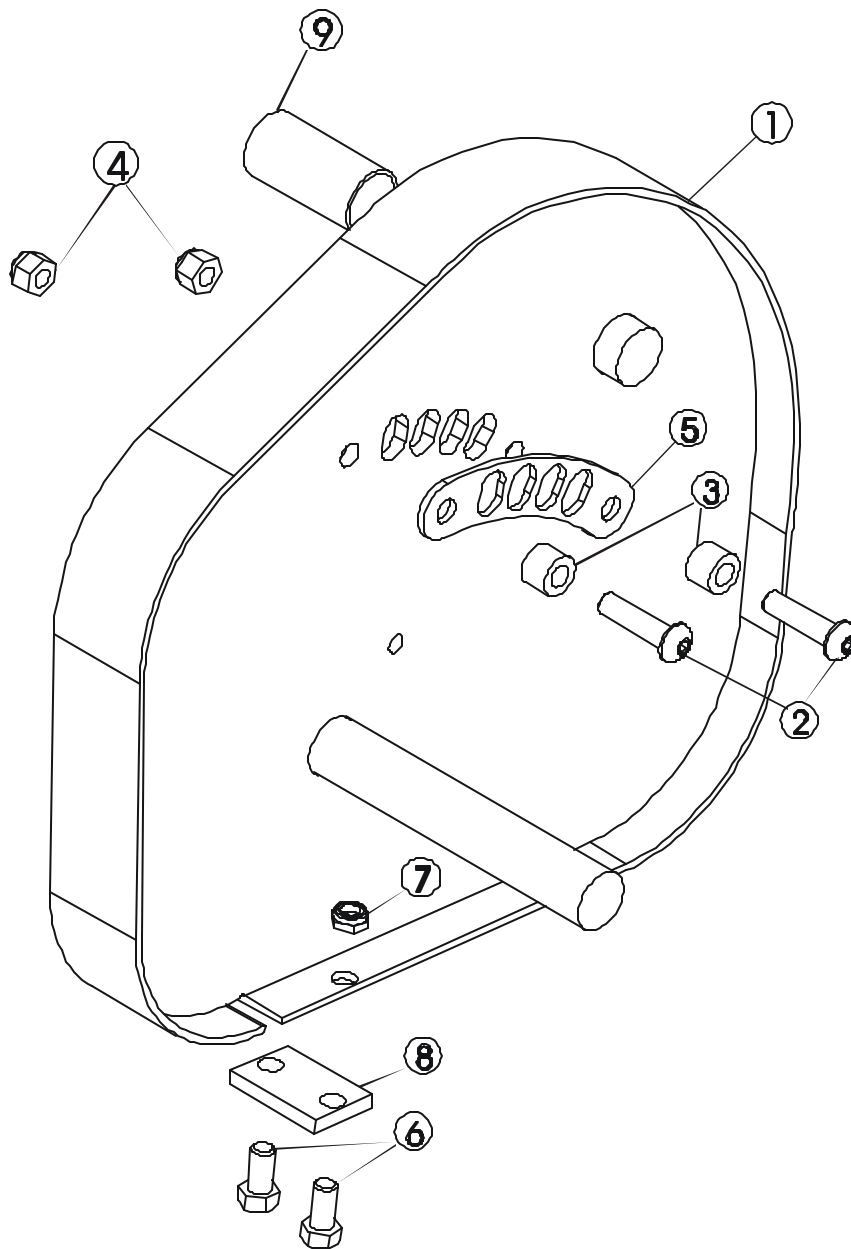
MTS Leg Extension - Right Movement Arm



ITEM NO.	QTY.	PART NO.	DESCRIPTION
1	1	MTLE-S0006	Right Movement Arm
2	1	0017-00042-1038	1 1/2 X 3 End Cap
3	2	0017-00009-0925	1.0" ID OIL LITE BUSHING
4	1	MTLE-A0007	Right Cam Assembly
5	1	0017-00009-0994	SPRING: PULL PIN LARGE
6	1	OK50-P0121-0000	PULL PIN
7	1	0017-00009-1077	KNOB, BLACK TULIP STYLE
8	1	MTLE-P0016	MTLE Counterweight
9	2	0017-00101-1584	1/2-13 X 1.50 UNC HEX BLT G5 ZN
10	2	0017-00104-0379	WSH .500 INT LOCK ST ZN

HAMMER STRENGTH EQUIPMENT

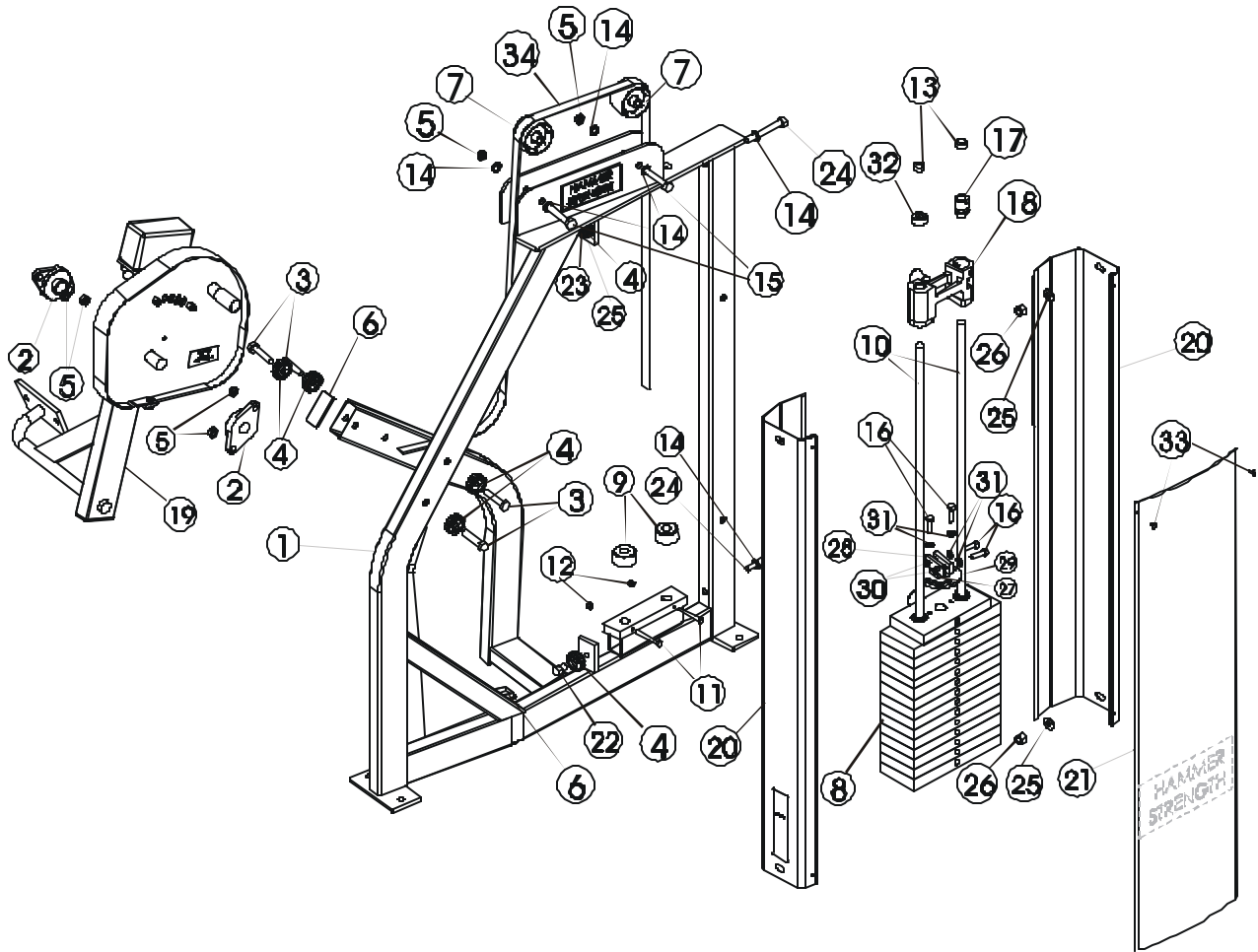
MTS Leg Extension - Right Cam Assembly



ITEM NO.	QTY.	PART NO.	DESCRIPTION
1	1	MTLE-S0007	Right Cam Assembly
2	2	0017-00101-1444	3/8 - 16 X 24 HXS BTN. BLT.
3	2	0017-00009-1100	STOP, NYLON
4	2	0017-00103-0229	NUT 3/8 - 16 NYLOC D ST ZN
5	1	OK50-P1154	PLATE, POLISHED SELECTOR
6	2	0017-00101-1428	3/8-16 X 12 UNS HEX BLT G8ZN
7	2	0017-00103-0217	NUT 3/8 - NYLOC; THIN NY NO
8	1	MTLC-P0016	STRAP CLAMP
9	1	0017-00042-0995(LE-LC)	CAM STOP (2-1/4")

HAMMER STRENGTH EQUIPMENT

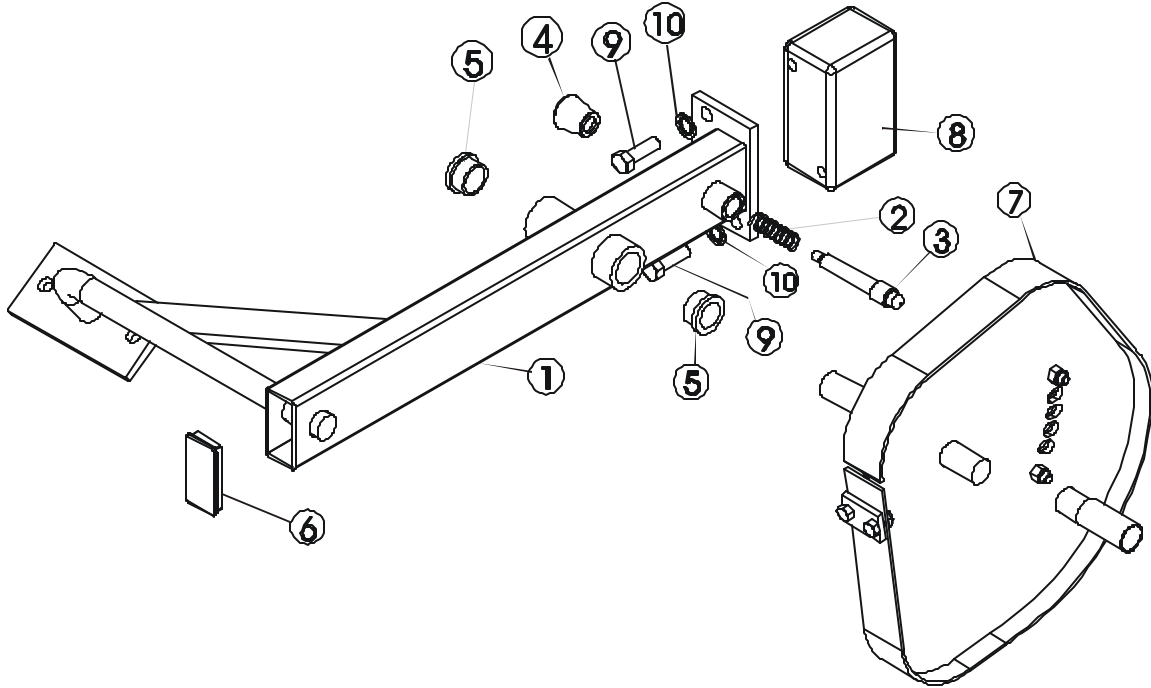
MTS Leg Extension - Left Side Frame



ITEM NO.	QTY.	PART NO.	DESCRIPTION	ITEM NO.	QTY.	PART NO.	DESCRIPTION
1	1	MTLE-S0003	Left Side Frame	22	1	0017-00101-1586	1/2 X 3/4 Bolt
2	2	0017-00009-1034	Small Bearing	23	1	0017-00101-1583	1/2 X 1 1/4 Bolt
3	4	0017-00101-1572	1/2 X 2 1/2 Bolt	24	2	0017-00101-1580	1/2 X 4 Bolt
4	6	0017-00042-1041	HAMMER HEAD WASHER	25	3	0017-00104-0311	1/2" SAE Flat Washer
5	6	0017-00103-0224	1/2" Thin Lock Nut	26	2	0017-00103-0223	1/2" Thick Lock Nut
6	2	0017-00042-1038	1 1/2 X 3 End Cap	27	1	OK50-P1132	BELT WRAP PEG
7	2	0017-00009-1039	3" PULLEY ASSEMBLY	28	1	OK50-P1121	Strap Clamp 2
8	1	AK50-WS018	MTS 150 LB WEIGHT STACK	29	1	AK50-S0023	BELT ATTACHMENT PLATE
9	2	0017-00042-0993	WEIGHT STACK DONUT 1" THICK	30	2	0017-00103-0217	NUT 3/8 - NYLOC. THIN NY NO
10	2	0017-00009-0933(MTLE)	CHROME ROD (43.25")	31	4	0017-00104-0377	WSH .375 INT LOCK ST ZN
11	2	0017-00101-1585	1/4 X 2 1/2 Bolt	32	1	0017-00009-1019	3/4" Lock Collar
12	2	0017-00103-0226	1/4" Thick Lock Nut	33	2	0017-00101-1587	SHIELD RIVET
13	2	0017-00042-0967	3/4 I.D. BLACK PLASTIC ROD CAP	34	1	0017-00033-0855(MTLE)	MTLE STRAP (.84")
14	6	0017-00104-0379	1/2" Internal Lock Washer	35	1	M051-00428-A000	MTS LFG EXTENSION
15	2	0017-00101-1582	1/2 X 3 Bolt	36	1	M051-00293-A000	WARNING DECAL
16	4	0017-00101-1412	3/8 X 1 1/4 Bolt	37	1	M051-00292-A000	HAMMER STRENGTH SHIELD DECAL
17	1	OK50-P1110	GUIDE ROD COLLAR	38	1	M051-00294-A000	WEIGHT STACK NUMBER STRIP
18	1	AK50-S0021	Increment Weight Assembly	39	1	M051-00298-A000	INCREMENT WT. DECAL (LEFT)
19	1	MTLE-A0004	Left Movement Arm Assembly	40	1	M051-00335-A000	WARNING DECAL
20	2	MTLC-P0130	MTS SIDE SHIELD	41	1	M051-00289-A000	HAMMER STRENGTH NAME PLATE
21	1	MTLC-P0131	SHIELD BACK PANEL				

HAMMER STRENGTH EQUIPMENT

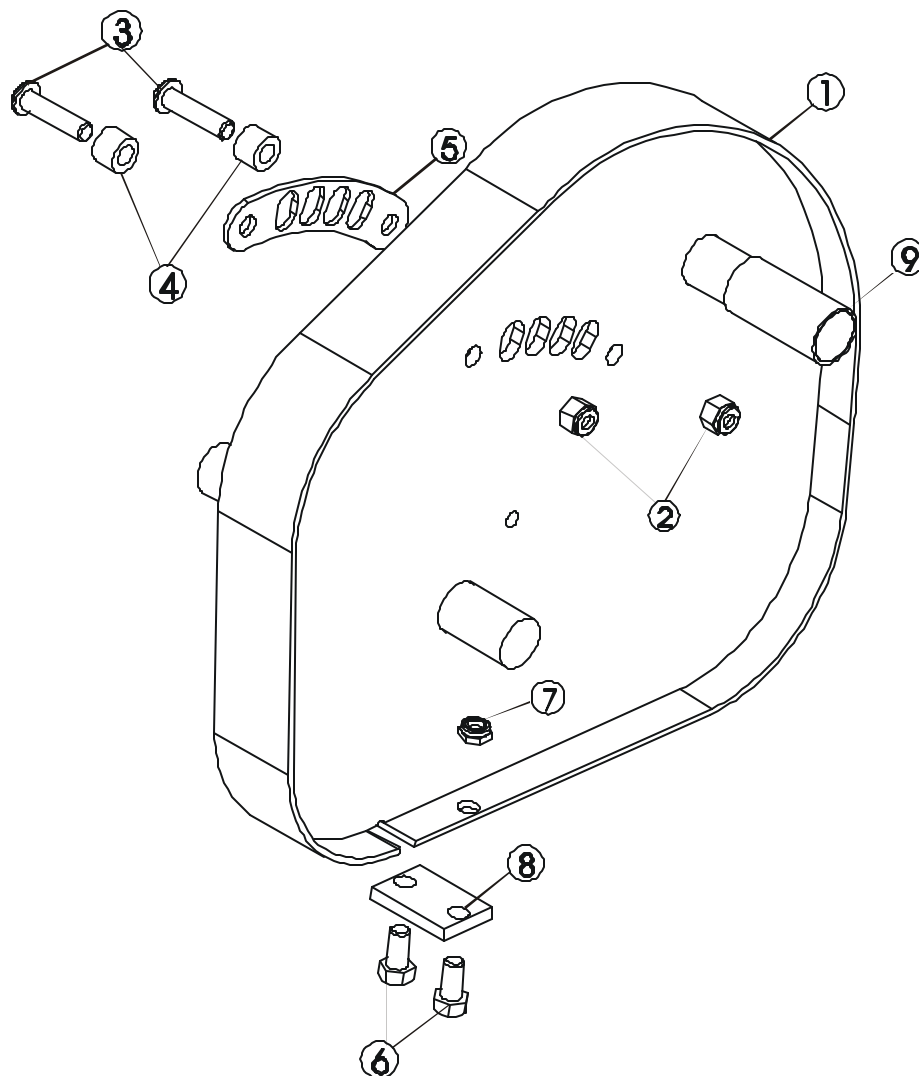
MTS Leg Extension - Left Movement Arm



ITEM NO.	QTY.	PART NO.	DESCRIPTION
1	1	MTLE-S0004	MTLE Left Movement Arm
2	1	0017-00009-0994	SPRING; PULL PIN LARGE
3	1	OK50-P0121-0000	PULL PIN
4	1	0017-00009-1077	KNOB, BLACK TULIP STYLE
5	2	0017-00009-0925	1.0" ID OIL LITE BUSHING
6	1	0017-00042-1038	1 1/2 X 3 End Cap
7	1	MTLE-A0005	Left Cam Assembly
8	1	MTLE-P0016	MTLE Counterweight
9	2	0017-00101-1584	1/2-13 X 1.50 UNC HEX BLT G5 ZN
10	2	0017-00104-0379	WSH .500 INT LOCK ST ZN

HAMMER STRENGTH EQUIPMENT

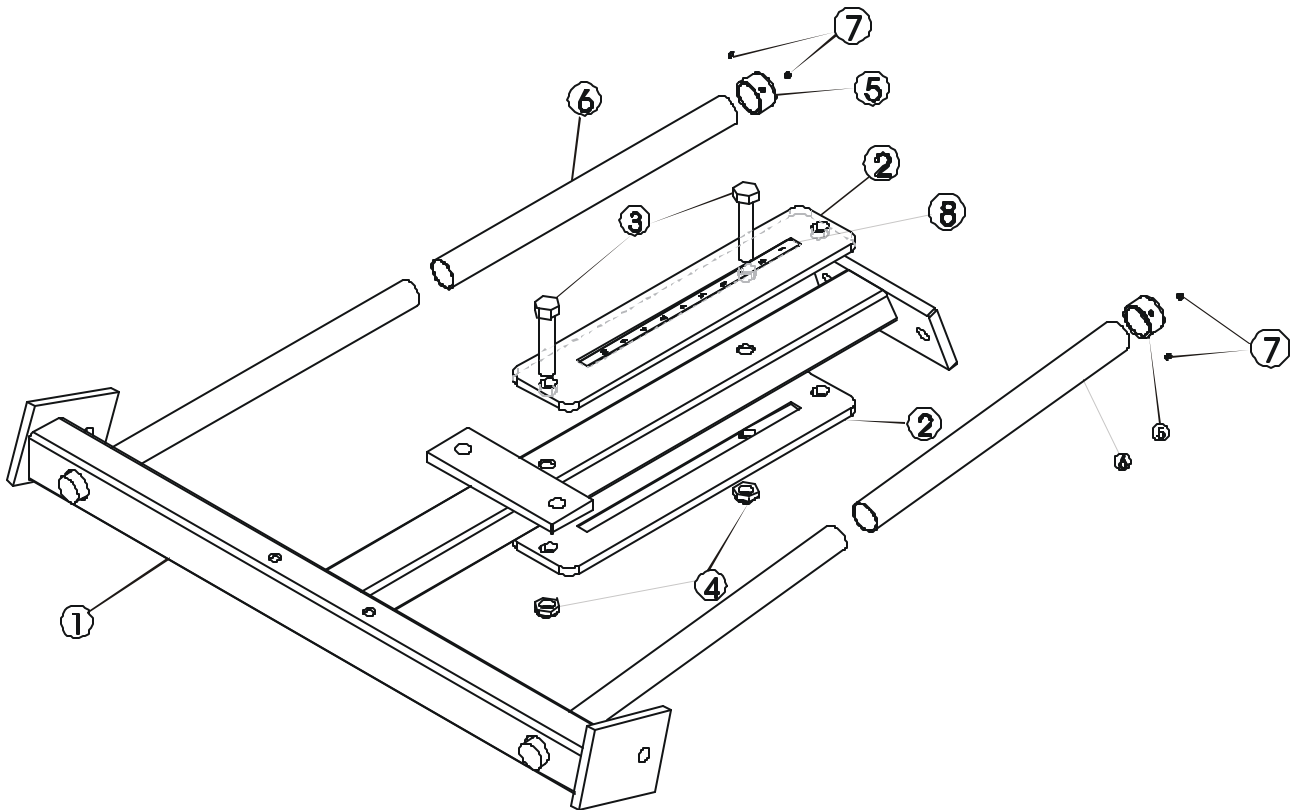
MTS Leg Extension - Left Cam Assembly



ITEM NO.	QTY.	PART NO.	DESCRIPTION
1	1	MTLE-S0010	CAM WELDMENT, LEFT(MTLE)
2	2	0017-00103-0229	NUT 3/8 - 16 NYLOC D ST ZN
3	2	0017-00101-1444	3/8 - 16 X 24 HXS BTN. BLT.
4	2	0017-00009-1100	STOP, NYLON
5	1	OK50-P1154	PLATE, POLISHED SELECTOR
6	2	0017-00101-1428	3/8-16 X 12 UNS HEX BLT G8ZN
7	2	0017-00103-0217	NUT 3/8 - NYLOC; THIN NY NO
8	1	MTLC-P0016	STRAP CLAMP
9	1	0017-00042-0995(LE-LC)	CAM STOP (2-1/4")

HAMMER STRENGTH EQUIPMENT

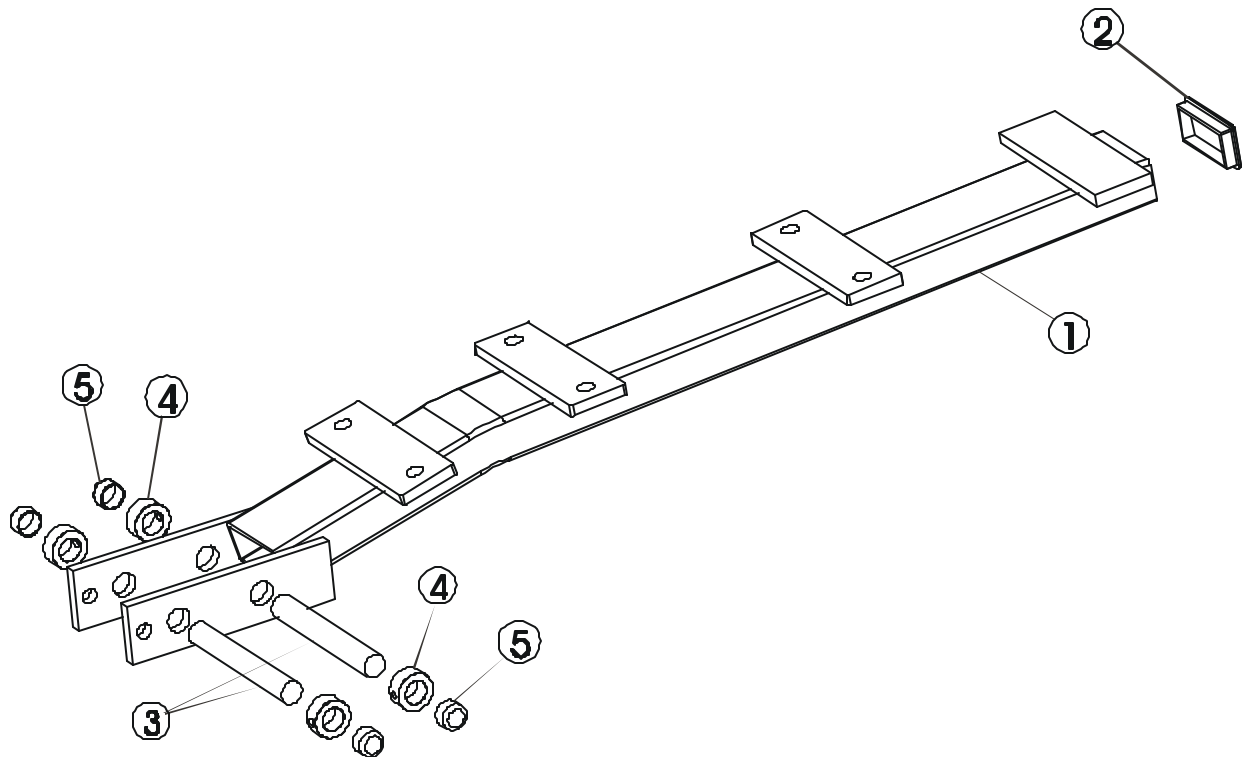
MTS Leg Extension - Seat Assembly



ITEM NO.	QTY.	PART NO.	DESCRIPTION
1	1	MTLE-S0001	MTLE Seat Frame
2	2	OK50-P1017	Seatrack Front
3	2	0017-00101-1572	1/2 X 2 1/2 Bolt
4	2	0017-00103-0224	1/2" Thin Lock Nut
5	2	OK50-P0315-2000	ALUMINUM END CAP
6	2	H-GRIP	RUBBER GRIP, 1.0" ID (12.87")
7	4	0017-00101-1406	10-32 X 1/8" SET SCREW
8	1	MO51-00296-A000	SEAT ADJUSTMENT NUMBER STRIP

HAMMER STRENGTH EQUIPMENT

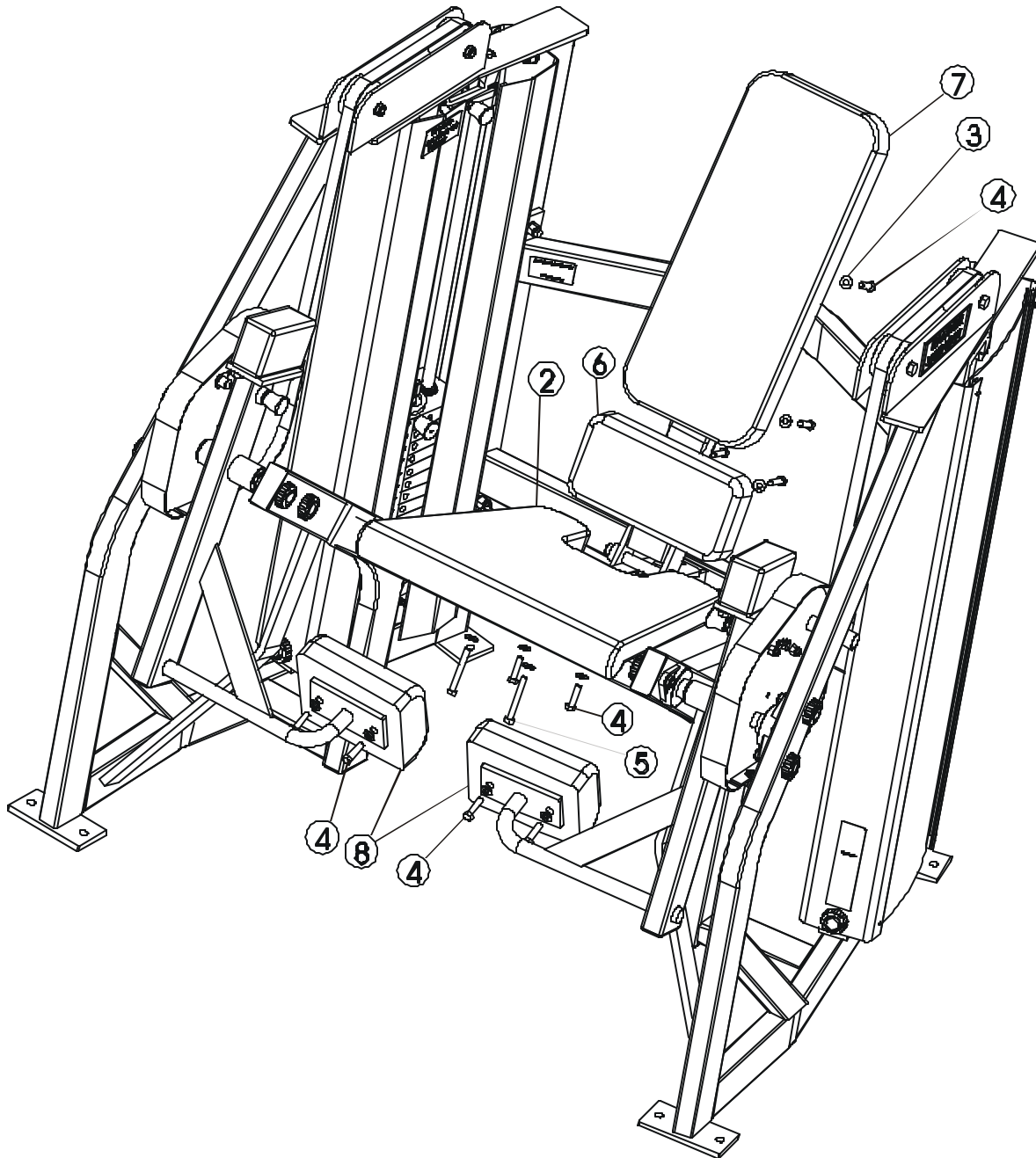
MTS Leg Extension - Seat Back Assembly



ITEM NO.	QTY.	PART NO.	DESCRIPTION
1	1	MTLE-S0002	Adjustable Seat
2	1	0017-00042-1038	1 1/2 X 3 End Cap
3	2	OK50-P1007	Standard Hammer Seat Shaft
4	4	0017-00009-1019	3/4" Lock Collar
5	4	0017-00042-0967	3/4 I.D. BLACK PLASTIC ROD CAP

HAMMER STRENGTH EQUIPMENT

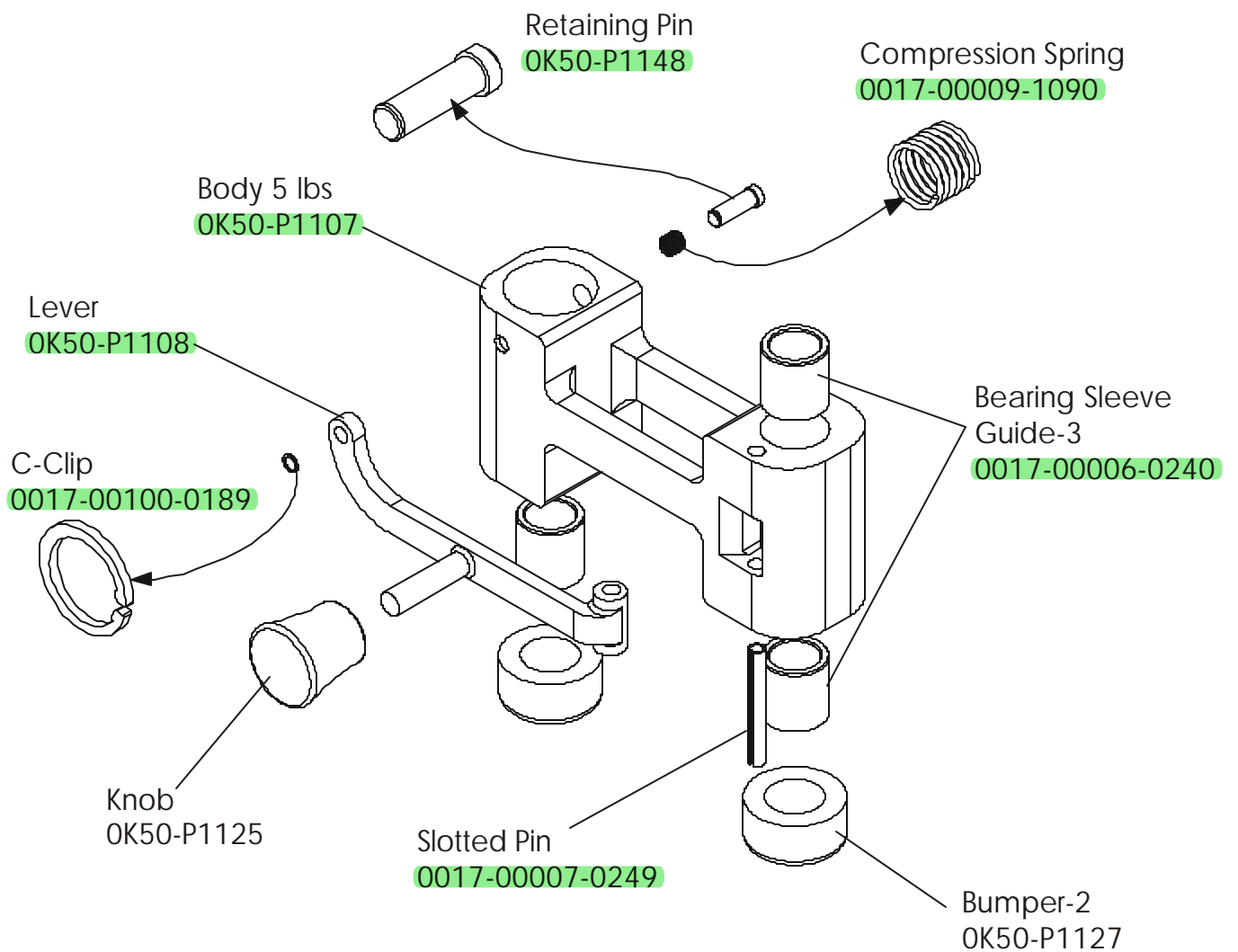
MTS Leg Extension - Pads



ITEM NO.	QTY.	PART NO.	DESCRIPTION
1	1	MTLE-A0000	MTLE Top Assembly
2	1	OK50-US067-0000	Seat Pad
3	14	0017-00104-0377	3/8" Internal Lock Washer
4	12	0017-00101-1411	3/8 -16X24 UNS HEX BLT G5 ZN
5	2	0017-00101-1422	3/8 X 3 Bolt
6	1	OK50-US068-0000	12" Rectangular Pad
7	1	OK50-US069-0000	Standard 24" Pad
8	2	OK50-US070-0000	Standard 8" Pad

HAMMER STRENGTH EQUIPMENT

MTS Leg Extension - Increment Weight Assembly



HAMMER STRENGTH EQUIPMENT

MTS Leg Extension - Weight Stack

